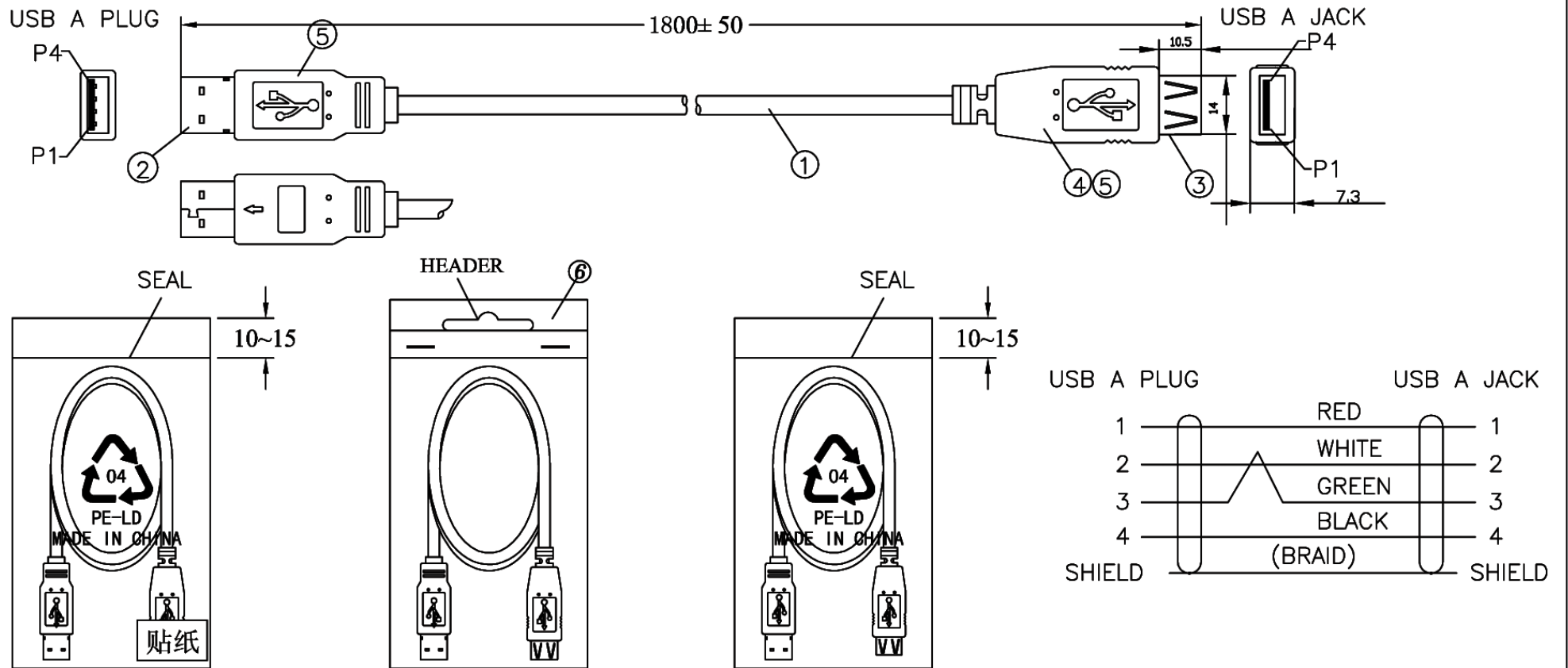


REVISION	DESCRIPTION	DATE
A	NEW	2003.04.03
B	线材O.D:5.0改为4.7	2003.11.14
C	BEIGE (CS-B01) 改为 (CS-B02)	2005.10.12



请根据订单选择包装方式(注:订吊卡为空白PE袋)

ELECTRICAL TEST:

- 1.100% SHORT, OPEN, MISWIRE TEST
- 2.CONTACTOR RESISTANCE: 2 Ohm (MAX.)
- 3.INSULATION RESISTANCE: 5M Ohm (MIN.)

⑤	OUTER MOLD: PVC 45P COLOR BEIGE(CS-B02)
④	INNER MOLD: PE COLOR TRANSPARENT
③	CONNECTOR: USB A JACK SOLDER TYPE INSULATION: WHITE.
②	CONNECTOR: USB A PLUG SOLDER TYPE INSULATION: WHITE.
①	CABLE: UL2725 28AWG*1P+24AWG*2C+A.D+B65% O.D:4.7MM PVC JACKET COLOR BEIGE(CS-B02)
NO.	DESCRIPTION

DATE	2005.10.12	PARTS NO	UB1110M	ITEM NO: AK669-18-R	DRAWN	刘勇	CHECK		APPRO	
UNIT	MM	DRAWN NO	A106	FILE NO: CS-QW05-A00088	ASSMANN ELECTRONICS, INC.					
SCALE	NO	COUSTOMER NO.	002							